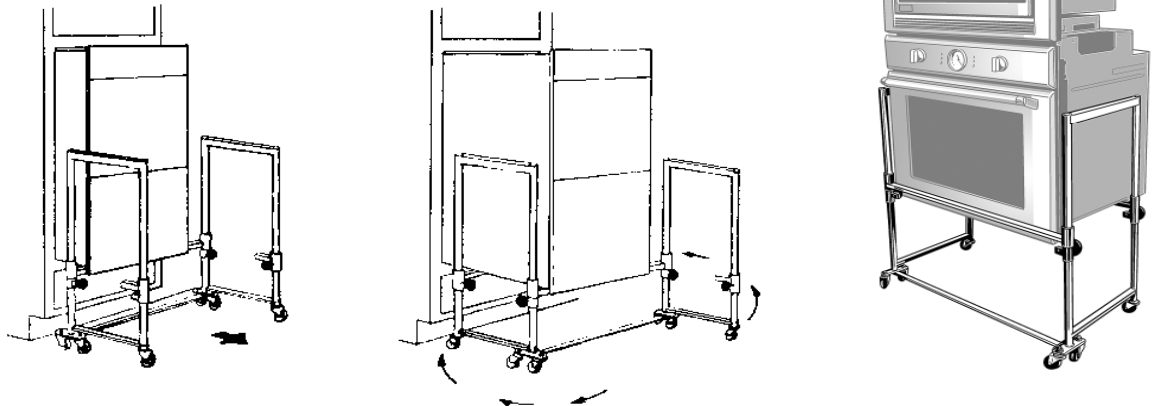
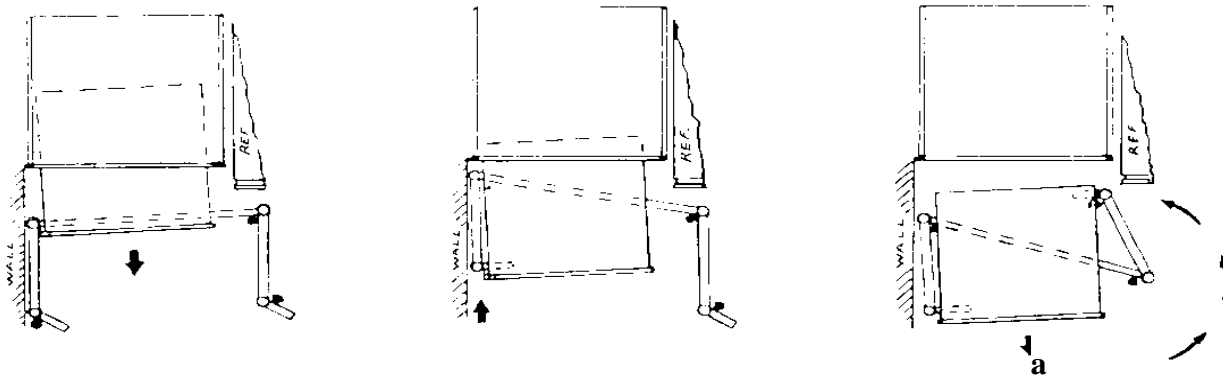


Suggestions on how to use the AllDolly

PROCEDURE: Where there is room to fully rotate the AllDolly's legs.



PROCEDURE: Where the oven is between a wall and a protruding refrigerator.



STEP 1:

The space next to the wall can be increased if it is necessary, by angling the oven away from the wall.

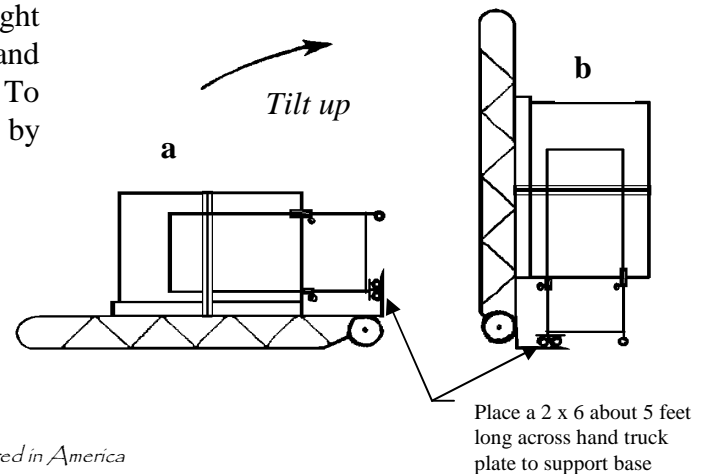
STEP 2:

Slide the supporting beam rearward on the wall side to bring the short beam into use, as indicated above.

STEP 3:

a. Support the oven on three points until it is pulled clear of the refrigerator. **b.** Then rotate other leg into place.

Oven Installation: Set your AllDolly to height desired, place oven on the AllDolly beams and strap both to the appliance hand truck. To support the AllDolly on the hand truck a two by six approximately 3 feet long can be used.



Manufactured in America

1260-A Dell Avenue ♦ Campbell, California ♦ America 95008
p: 408.378.2344 ♦ f: 408.378.2898 ♦ w: www.AllDolly.com