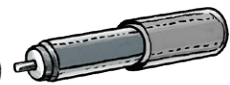


INTRODUCING The Mighty Mini Dolly



The Mighty Mini AllDolly
Holds well over 350 lbs.



Optional 8 or 12" extension support arms or replace the existing arm with the accessory 24" arm.

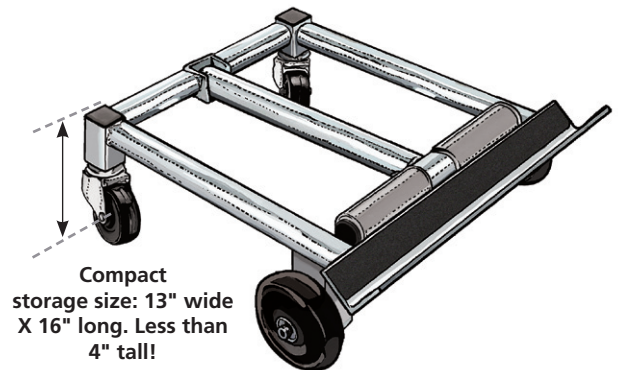
Work smarter, not harder with the **Mighty Mini AllDolly**. Makes moving appliances and other heavy items a one-person job: remove, repair, replace any washer, dryer or other appliance without help! And don't be fooled by its light weight; the tough steel frame handles over 350 lbs.

Specifications:

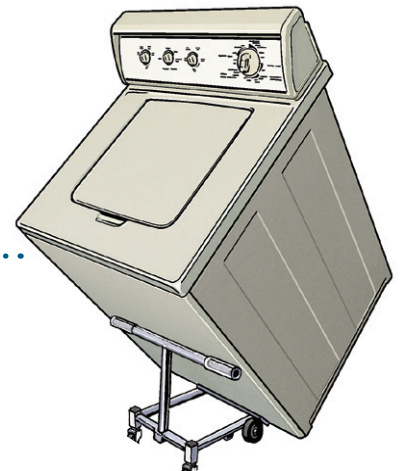
- America made
- Total capacity over 350 lbs.
- Total weight less than 10 lbs.
- Beefy all steel construction, made from Zinc plated steel tubing.
- Folds up small: 14" wide by 16" long; less than 5" tall (working height 16").
- Padded non-marking support handle.
- Optional wide (24") support arm or accessory extension kit can be added to the standard support arm.

Two caster wheels in rear provide exceptional maneuverability. You do not have to tip the dolly to make tight turns

- Four non-marking rubber wheels.
- 2 rear caster wheels for easy turns in tight places.
- Remove or place a washer from **most** drain pans without damaging the pan lip.
- Use to move all kinds of things with low center of mass.
- Folds flat for easy storage or to use as furniture dolly.



Compact storage size: 13" wide X 16" long. Less than 4" tall!



AllDolly
Appliance
Moving Solutions

Price for the Mini AllDolly is \$160 plus applicable sales tax, shipping, handling & insurance.

Orders shipped same day (when received by noon PST) based on availability. Price subject to change without notice. Extra charge for Accessory Top.

AllDolly.com
Designed and Manufactured in America
379 Gifford Avenue • San Jose, California • USA 95126

Phone: 408.378.2344
Fax: 408.379.4807
Web: WWW.AllDolly.com